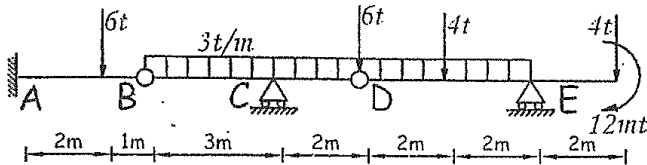


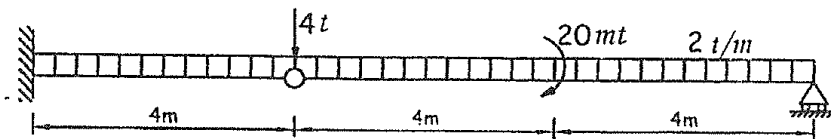


Answer all question

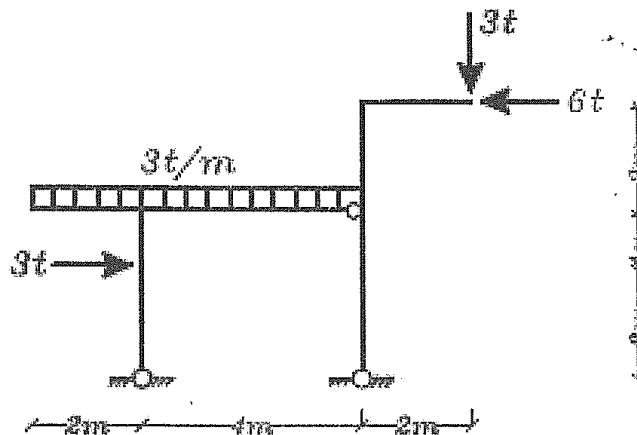
1- Calculate the reactions for the shown structure.



2- Calculate the reactions and draw the internal force diagram for the following beam

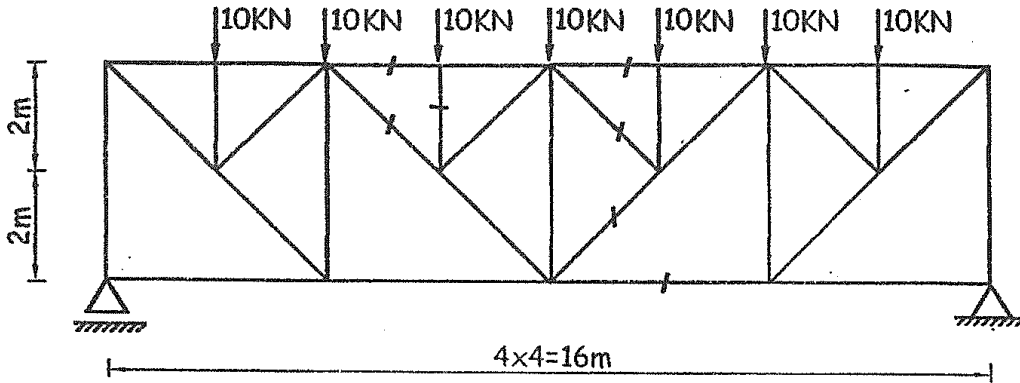


3- Calculate the reactions and draw the internal force diagram for the following structure



95

4- Find the force in marked members



Good luck with my best wish

DR. HOSSAM EL-DIN FAWZY