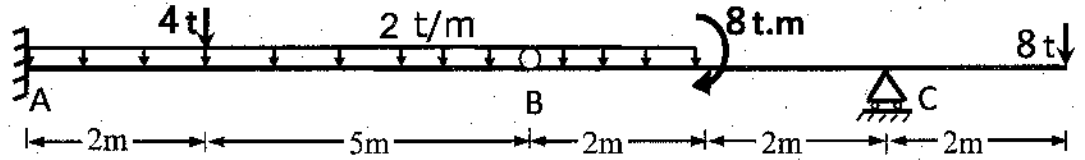




Answer the following questions, and assume any missing data.

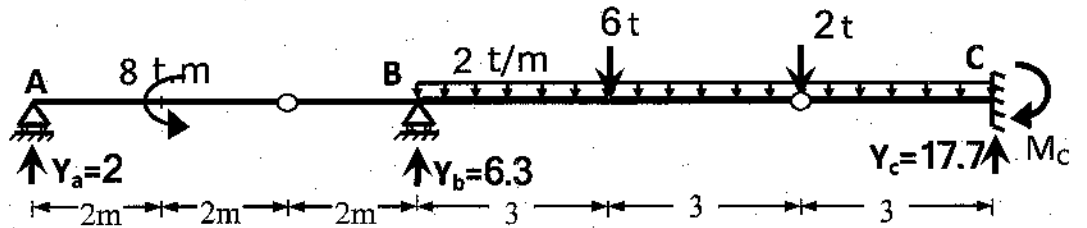
Q 1 (ILOs a5, b2, c1) (5 degree)

Find the reactions of the shown beam.



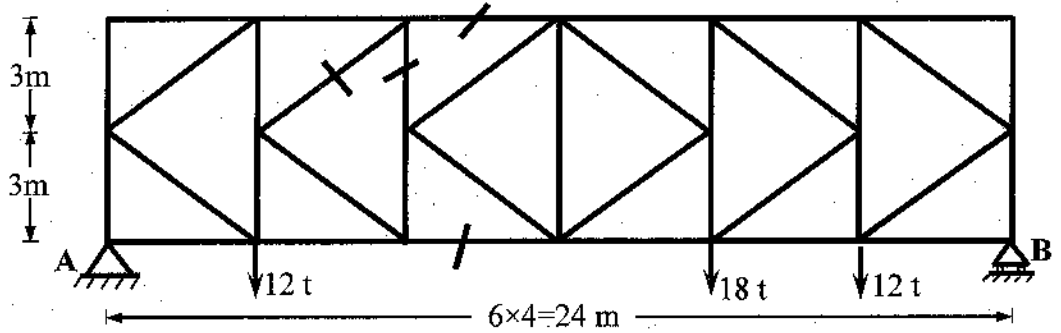
Q 2 (ILOs a5, b2, c1) (10 degree)

Draw the internal forces diagrams for the beam below



Q 3 (ILOs a5, b2, c1) (10 degree)

For the shown truss, calculate the forces in the marked members.



Q 4 (ILOs a5, b2, c1) (10 degree)

Draw the internal forces diagrams for the shown frame.

